



# LIGHTS UP YOUR WORKSITE!



## TRIPO

Can be elevated as high as 1600 mm

**A POWERFUL,  
LIGHTWEIGHT  
AND SAFE  
WORKSITE LIGHT  
WITH AN  
INTEGRATED  
STAND**

The only temporary lighting equipment on the market intended for large premises, providing efficient 360° lighting performance without harsh glare.

Effortless maintenance

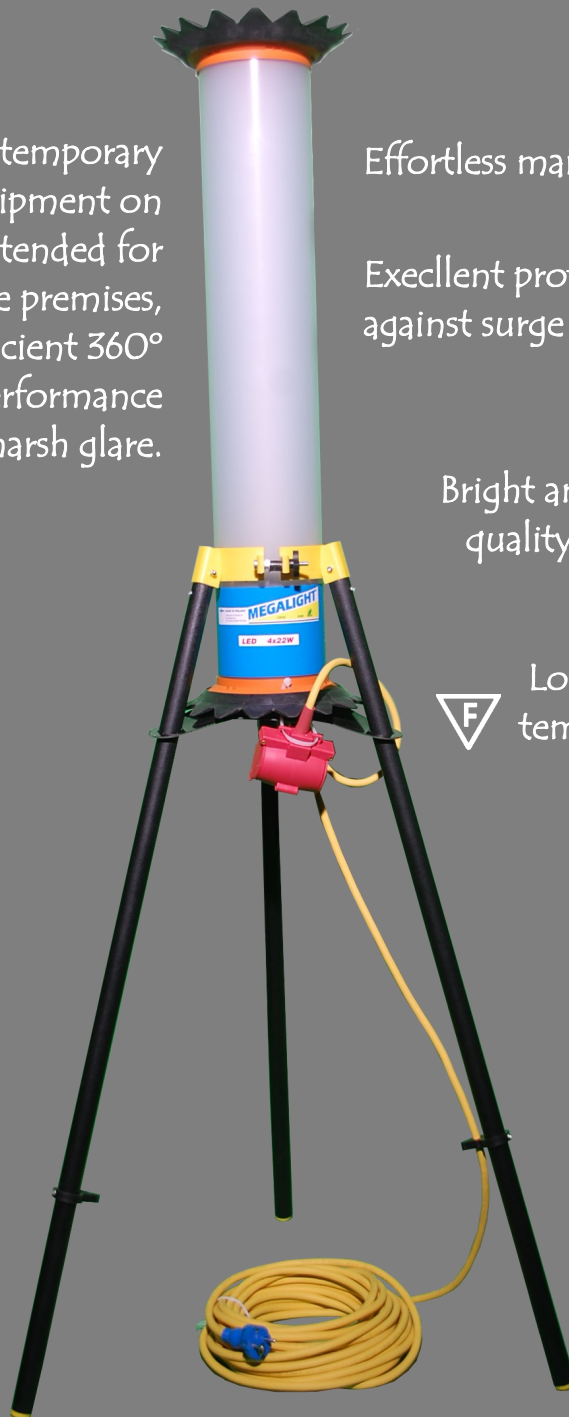
Excellent protection against surge peaks

Bright and high quality light

Suitable for renovation of delicate buildings

 Low surface temperature

The total weight, including the tripod and 15m rubber cable is less than 8kg



Visit our website @  
[www.megalightsystems.com](http://www.megalightsystems.com)



IP  
44



10m  
H07RN-F



-15°C



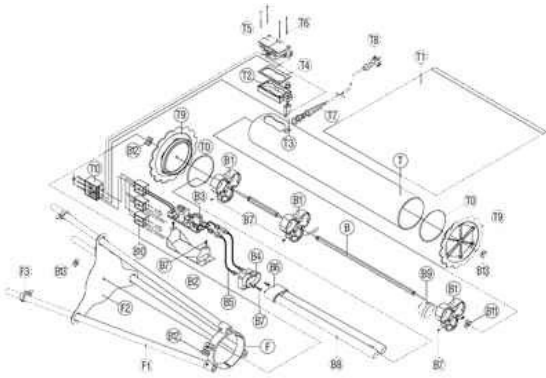
MADE IN FINLAND

# TRIPO 360° DATA

## TRIPO LED360 4X22W 230 VAC IP 44

Power	Cable	Lumen	CCT (K)	L (mm)	Ø (mm)	Weight (kg)
4x22W	15m H07RN-F 3x1,5mm <sup>2</sup>	12000	5000	770-1600	150	8,0

The four 22 W LED modules of the Tripo do not produce excess heat that could cause a fire hazard. Even though Tripo LED360° can produce over 12 000 lumen the surface temperature remains always well below 75 °C.



The maintenance of TRIPO lamps is made as effortless as possible. All the components are available as spare parts

