

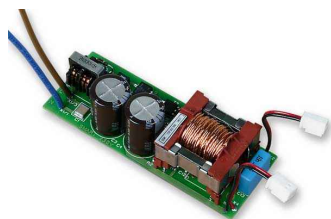
115 VAC and 230 VAC
3 x 55 W



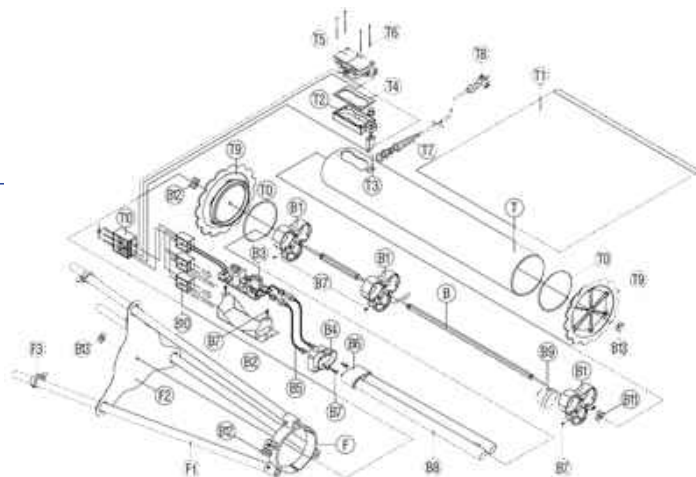
A powerful, lightweight and safe worksitelight with stand

The Megalight Tripo represents the only lighting equipment on the market intended for large premises, providing efficient 360° lighting performance without harsh glare. Owing to its detachable and adjustable tripod the lighting equipment can be elevated as high as 1600 mm. The total weight, including the tripod and 15 m rubber cable is less than 7 kg. The two-part extension socket on the lamp is provided with a 10 A automatic fuse.

The three 55 W fluorescent tubes of the Tripod substitute for traditional incandescent lamps, which – in addition to their high power consumption – can also cause a fire hazard due to their high temperature. Therefore the Tripo lights are also suitable for renovation of delicate buildings. E. g. Tripo lamps were used in the renovation of the Royal Palace in Copenhagen.



The electronic lamp ballast, based on high-frequency technology, is the result of our own long-term product development. It ensures bright and steady illumination provided by our lighting appliances as well as their excellent reliability.



The maintenance of TRIPO lamps is made as effortless as possible. All the components are available as spare parts.

General specifications:

Operating temperature -20 ..+45 °C
Ingress protection IP 44, also available as IP 65
Lightbulb expected lifetime 8000 - 10000 hours
Electronic ballast, CE certified (73/23 EEC and 89/336 EEC)
Cable length/type: 15m H07RN-F 2*1,5mm², also other lengths available

Model version specifications:

Effect / Lumen	Operation voltages	Lamp type	 1000 w	Ø/ length mm	Weight/ kg
3 X 55 W/ 3X 4800 LM	230 AND 115 VAC	PLL 2G11		60/550	6,9

Distributor:

Manufacturer:

MEGALIGHT SYSTEMS OY
Box 55 Niemeläntie 1
20781 KAARINA FINLAND