



MEGALIGHT STANDARD

CE FI S N D F IP 44

115 VAC and 230 VAC, 24-55 W
24VAC, 36VAC and 42 VAC, 24-36 W



Versatile Megalight Standard portable worksite lights

Megalight Standard worksite lighting appliances represent brilliant lighting performance, safety and economy. Their lightweight and compact structure is designed to withstand particularly high mechanical strain. The 16 A socket can be used as outlet for electrical devices or for chaining several lamps into a lighting system. For Standard moldes there is also available a 600 N magnet, which is attached to the bottom of the lamp. The magnet enables to fasten the lamps temporarily on different metal surfaces.

In Megalight lamps we use fluorescent light bulbs, which are bright, durable and energyefficient. The surface temperature never rises over 75 °C ∇ F. The alternative light sources in Standard models range from 24 W to 55 W. The compact 26 W model is most suitable for tight spaces as for aeration installation for machine maintenance. The more effective 36 W and 55 W models are most convenient for construction and renovation sites



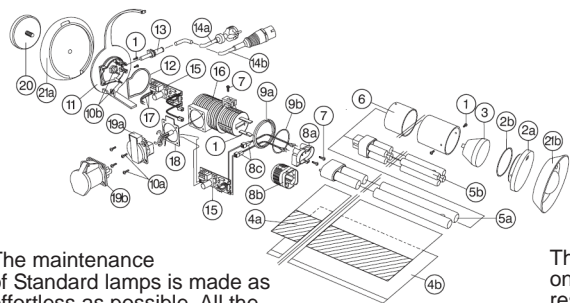
Picture 1:
a) CEE 309,
b) SELV
c) SET POINT



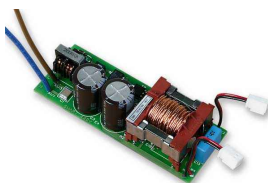
Low voltage Safety-model range



In addition to the normal 230 VAC product range we offer 24, 36 and 42 VAC as well as 24 VDC Safety models. With Standard Safety products, you can securely light up humid and confined spaces and spaces with conductive walls. Safety lamps require a low voltage network or transformer to function. The alternative plug and socket standards for Safety models can be seen in picture 1.



The maintenance of Standard lamps is made as effortless as possible. All the components are available as spare parts



The electronic lamp ballast, based on high-frequency technology, is the result of our own long-term product development. It ensures bright and steady illumination provided by our lighting appliances as well as their excellent reliability.



For Standard moldes there is also available a 600 magnet, that is attached to te lamp with M10 tap. The magnet enables to fasten the lamps temporarily on different metal surfaces.

115 VAC and 230 VAC, 24-55 W

24VAC, 36VAC and 42 VAC, 24-36 W



115 VAC and 230 VAC, 24-55 W
24VAC, 36VAC and 42 VAC, 24-36 W



Megalight Standard, general specifications:

Operating temperature -20 ..+45 °C

Ingress protection IP 44

Fluorescent lightbulb expected lifetime 8000 - 10000 hours


Electronic ballast, CE certified (73/23 EEC and 89/336 EEC)

Cable length/type: 10m H07RN-F 2*1,5mm², also other lengths available

Model version specifications:


STANDARD 26W/ 1800 lm



| Effect / Lumen | Operation voltages | Lamp type |  | Ø/ length mm | Weight/ kg |
|----------------|--------------------------|-----------|---|--------------|------------|
| 26W/1800lm | 230, 115, 24, 36, 42 VAC | PLC G24Q3 | 150W | 60/370 | 2,4 |


STANDARD 24W 1600 lm



| Effect / Lumen | Operation voltages | Lamp type |  | Ø/ length mm | Weight/ kg |
|----------------|--------------------------|-----------|---|--------------|------------|
| 24W/1600lm | 230, 115, 24, 36, 42 VAC | PLL 2G11 | 125W | 60/550 | 2,4 |


STANDARD 36W 2900 lm



| Effect / Lumen | Operation voltages | Lamp type |  | Ø/ length mm | Weight/ kg |
|----------------|--------------------------|-----------|---|--------------|------------|
| 36W/2900lm | 230, 115, 24, 36, 42 VAC | PLL 2G11 | 250W | 60/670 | 2,8 |

STANDARD 55W 4800 lm



| Effect / Lumen | Operation voltages | Lamp type |  | Ø/ length mm | Weight/ kg |
|----------------|--------------------|-----------|---|--------------|------------|
| 55W/4800lm | 230, 115 VAC | PLL 2G11 | 400W | 60/770 | 3,0 |

Distributor:

Manufacturer:

MEGALIGHT SYSTEMS OY
Box 55 Niemeläntie 1
20781 KAARINA FINLAND