



MEGALIGHT PIPE

CE FI S N D F IP 44

115 VAC and 230 VAC, 24-55 W

24VAC, 36VAC and 42 VAC, 24-36 W



HIGH QUALITY PORTABLE WORKSITE LIGHTING SYSTEM

Megalight lighting units are well known for their superb quality, durability and safety, they are usable in even the harshest of work environments, both indoors as well as outdoors. Megalight units have a light-weight strain-resistant structure, and they are fully maintainable, as all the unit components are available as spare parts.

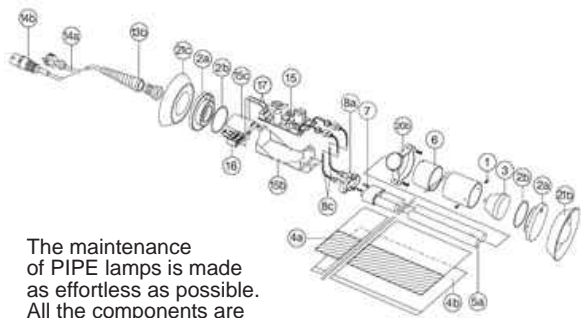
The fluorescent bulbs of the Megalight equipment save energy and have a long life (service life 8000 h) For instance by its luminosity a 36 W fluorescent bulb matches a 250 W incandescent bulb. Energy is converted into light, not into heat. For this reason the surface temperature of the lighting equipment is safely low ∇F (less than 75°C).

Pipe models can be fixed either permanently to the strap attachment, or temporarily using two 300 N magnets. Owing to their shape the units are perfect for confined spaces.

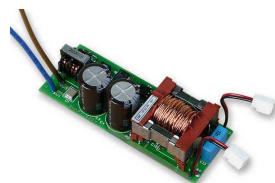
Low voltage Safety-model range



The Pipe lamps are also available with IP 65 splash proof rating. In addition to the normal 230 VAC product range we offer 24, 36 and 42 VAC as well as 24 VDC Safety models for lighting of damp and confined spaces, as well as for spaces with conductive walls.



The maintenance of PIPE lamps is made as effortless as possible. All the components are available as spare parts.



The electronic lamp ballast, based on high-frequency technology, is the result of our own long-term product development. It ensures bright and steady illumination provided by our lighting appliances as well as their excellent reliability.




For Pipe molds there are also available 2x300 N magnets, which are attached to the lamp with straps. The magnet enables to fasten the lamps temporarily on different metal surfaces.

General specifications:

Operating temperature -20 ..+45 °C
 Ingress protection IP 44, also available as IP 65
 Lightbulb expected lifetime 8000 - 10000 hours
 Electronic ballast, CE certified (73/23 EEC and 89/336 EEC)
 Cable length/type: 10m H07RN-F 2*1,5mm², also other lengths available

Model version specifications:

Effect / Lumen	Operation voltages	Lamp type		Ø/ length mm	Weight/ kg
24W/1600lm	230, 115, 24, 36, 42 VAC	PLL 2G11	125W	60/550	2,4
26W/1800lm	230, 115, 24, 36, 42 VAC	PLC G24Q3	150W	60/400	2,4
36W/2900lm	230, 115, 24, 36, 42 VAC	PLL 2G11	250W	60/670	2,8
55W/4800lm	230, 115 VAC	PLL 2G11	400W	60/770	3,0

Distributor:

Manufacturer:

MEGALIGHT SYSTEMS OY
 Box 55 Niemeläntie 1
 20781 KAARINA FINLAND