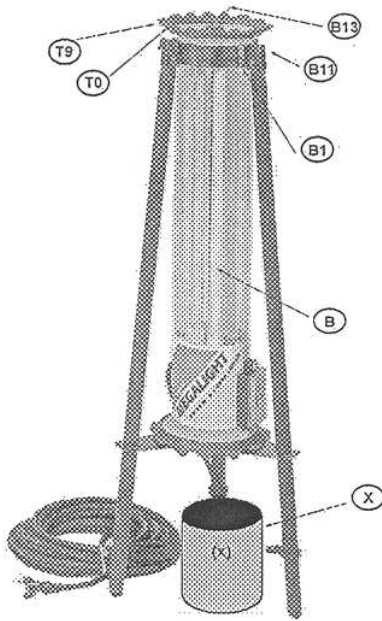
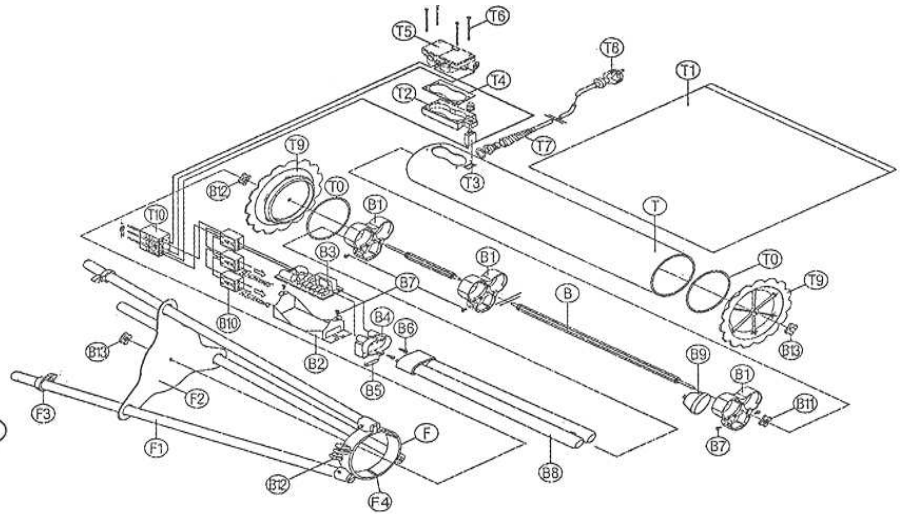


OBS! ALWAYS UNPLUG THE LAMP FROM THE OPERATING CURRENT, BEFORE STARTING THE SERVICE!!



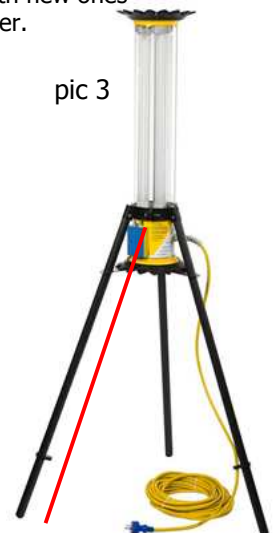
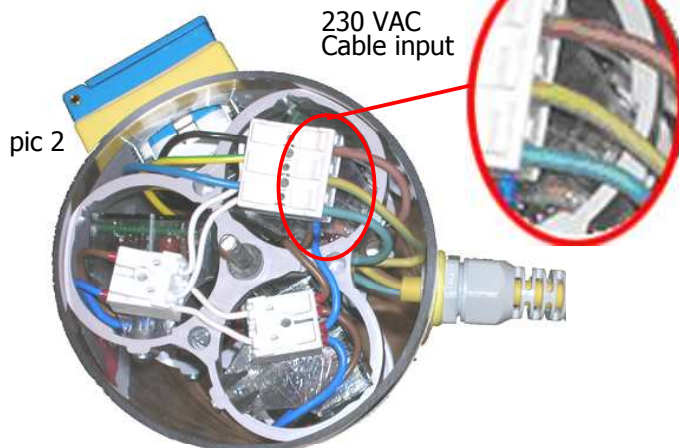
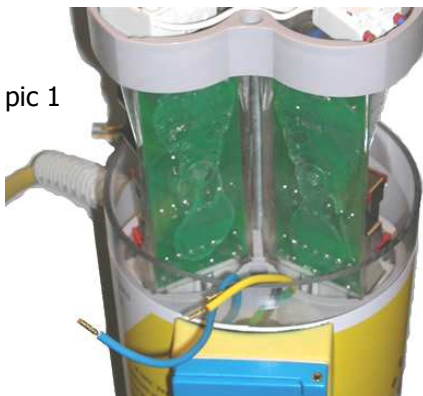
Changing the light bulbs

1. Put a suitable object (f ex plastic bucket (X)) between the legs of the Tripo to prevent the module **B** from dropping out from the tube **T** during the service.
2. Open the nub **B13** and lift up the cap **T9**. Make sure, that the O-ring seal **T0** on the cap stays in its place in the furrow.
3. Open the screw **B11**
4. Pull out the gray ring structure **B1**
5. Change the light bulb. Put the ring structure **B1** back on.
6. The rest of the lamp is assembled in a reversed order.
7. The screw **B11** shouldn't be tightened too much. Make sure, that the tube **T** settles correctly against the O-ring seal **T0** inside the furrow of the cap.



Changing the electronic ballast or cable

1. Remove the Tripo-stand by unscrewing the nubs **B12** on the friction band and **B13** underneath the lamp.
2. Remove the caps and the light bulbs (see previous instructions)
3. Disconnect the wires of the power cable and the wires leading to the outlet socket from the cable connector **T10**
4. Pull out the module **B**
5. Replace the broken components with new ones
6. Assemble the lamp in a reverse order.



OBS! When assembling the lamp, install the module **B** inside the tube **T** (before installing the light bulbs) so that the outlet socket is facing the flat backsides of two ballasts cases **B2** (see pic. 1). This leaves enough space for the wires and connectors and prevents accidental shortcuts. Do not install other wires in the same side of the cable connector **T10** in where you install the power cable wires (pic. 2). The nubs for the caps **T9** should be tightened in the following order:

- First tighten the upper nub **B13** (nub with a cap) on the top.
- Then tighten the nub **B12** below the lamp (open nub), but not too tight

Install the stand on so, that the nub **B12** on the friction band **F** is facing in the same direction as the outlet sockets on the lamp see pic 3). The sockets should be as close to the left-side leg as possible, to prevent the covers of the sockets to open too much.

We recommend using the lamp in an upright position, to minimize the heat on the electronic ballasts, which might shorten the lifetime of the ballasts.



MEGALIGHT TRIPO 3x55 W **Spare parts**

